



*A VISIT TO PANORAMA*

**The trip**

IN THIS TRIP WE LEARN HISTORY. 😊



# THE PANORAMA 1326

- That it was super beautiful and pretty cheap!



# İZNIK HISTORICAL MUSEUM

- In the museum we had a lot of fun, we saw old clothes about or past soldiers, we saw old weapons.

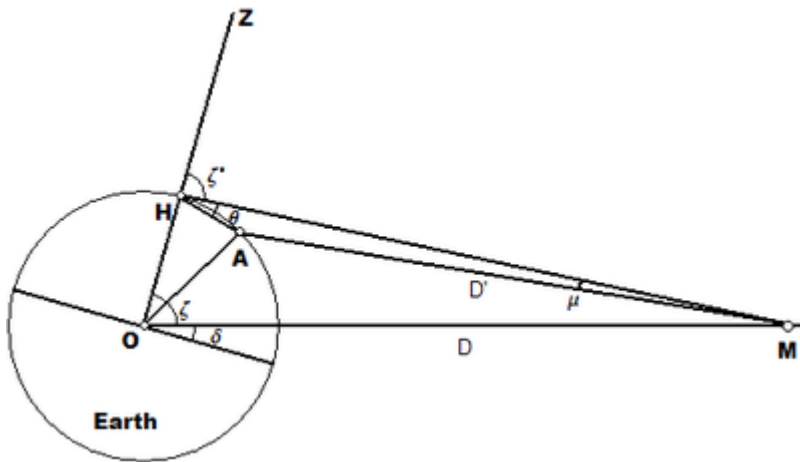


THE LUNCH WAS DELICIOUS AND SUPER GOOD LOOKING!



# MATH TIME!

- In this activity we did a lot of fun things! We learned how to calculate our own shadow by the sun!



# AND THE LAST THING AND THE BEST, THE CITY TOUR

- We visited some shops and a go to the underground shopping even a museum! Its was so incredible.



# THE DAY

- Our day finished with success and happy with earned a lot of memories, met a lot of people and even dance in the bus!





# THE END

○ THANKS FOR THE  
ATTENTION 😊

Witold-Poland  
Sarah-Portugal

